

NanoPi A64

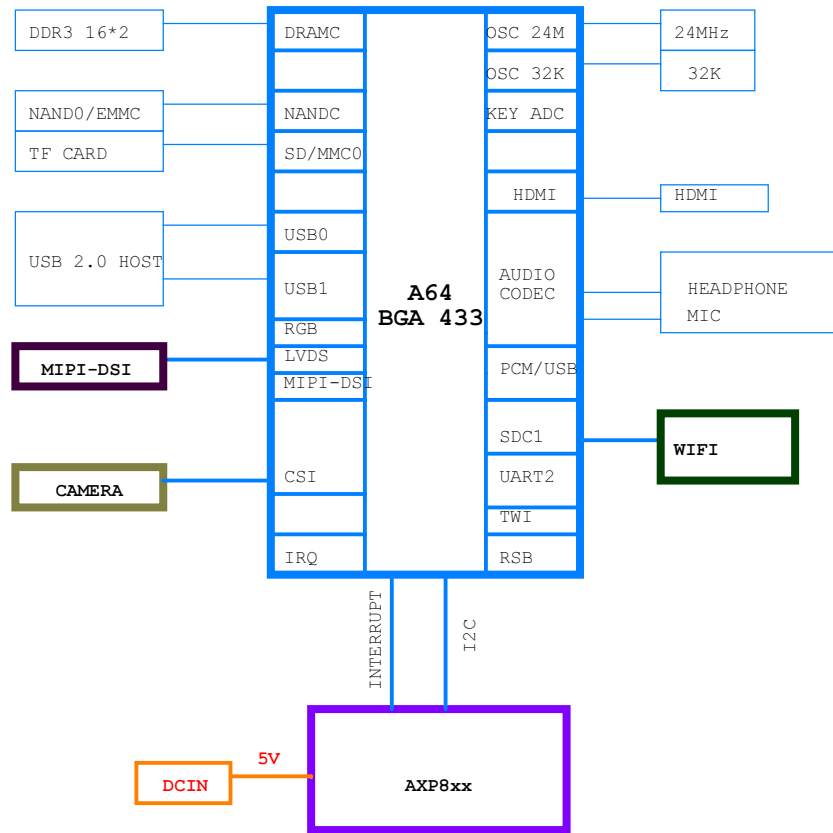
Revision

1610 , First Release

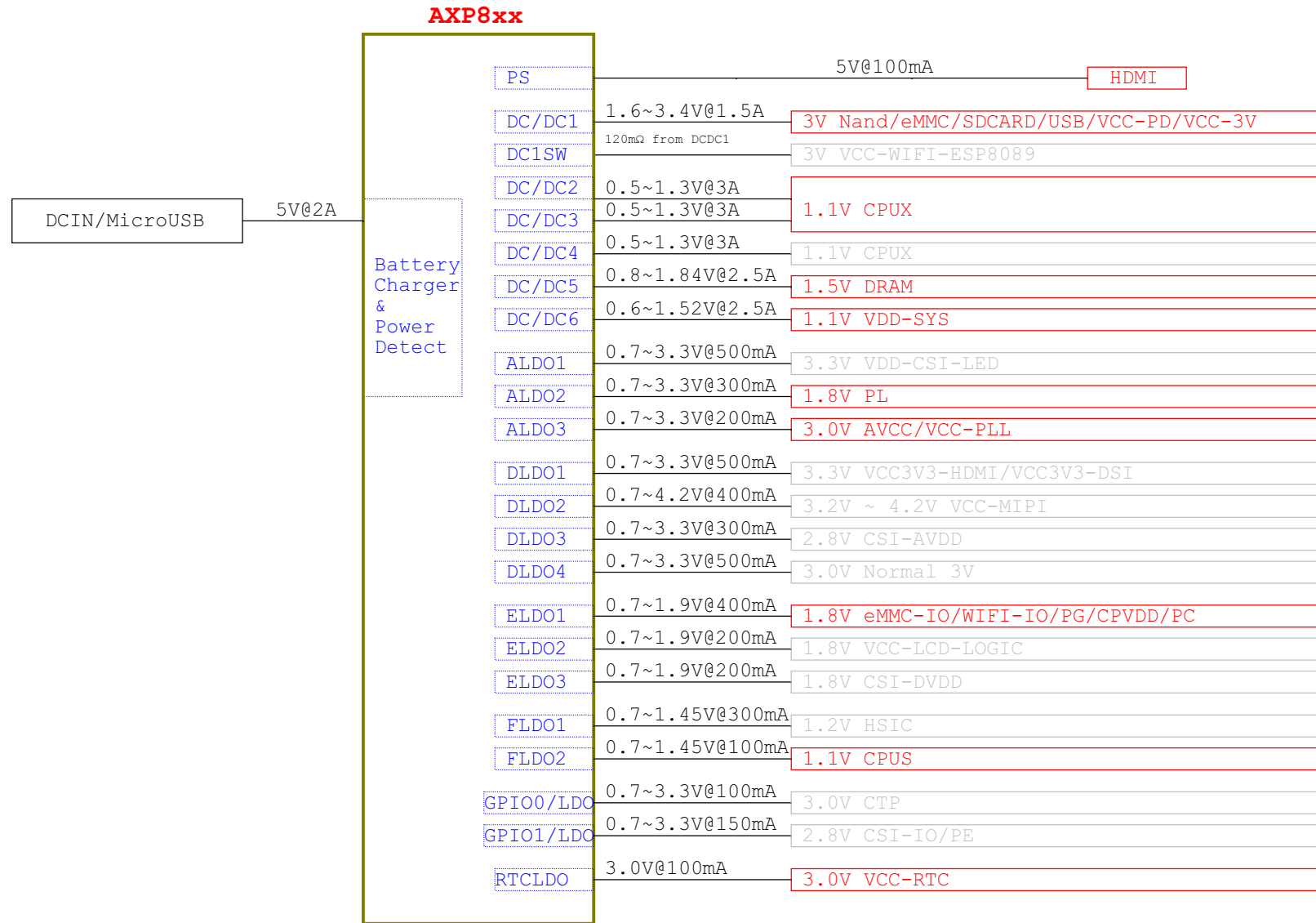


NanoPi-A64		
Size A3	Document Number Title	Rev 1610
Date:	Thursday, December 15, 2016	Sheet 1 of 15

BLOCK DIAGRAM



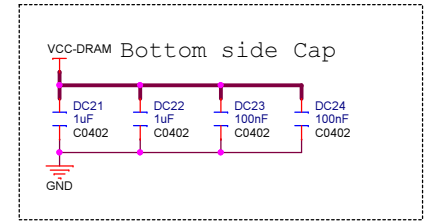
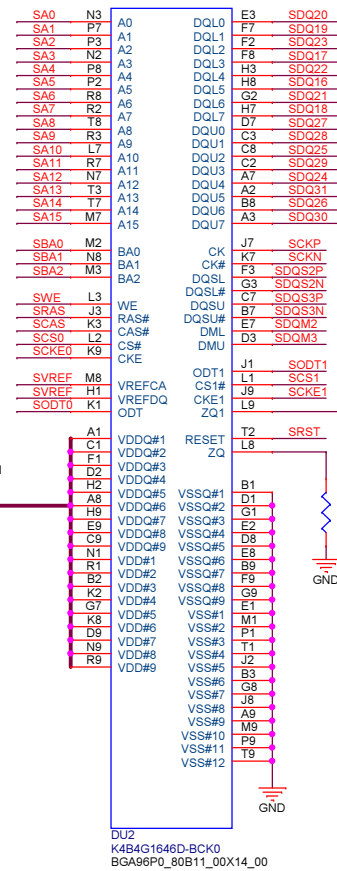
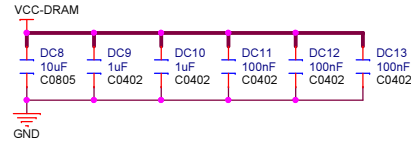
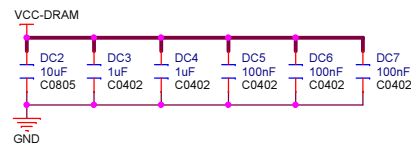
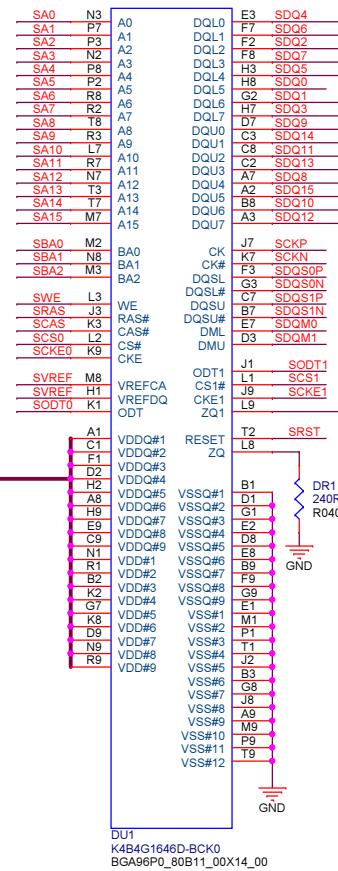
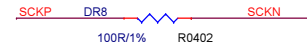
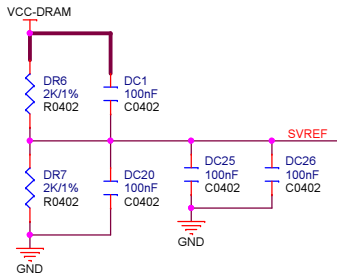
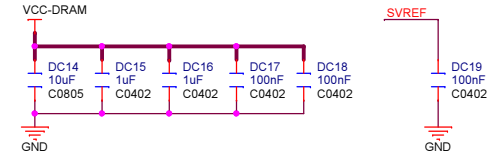
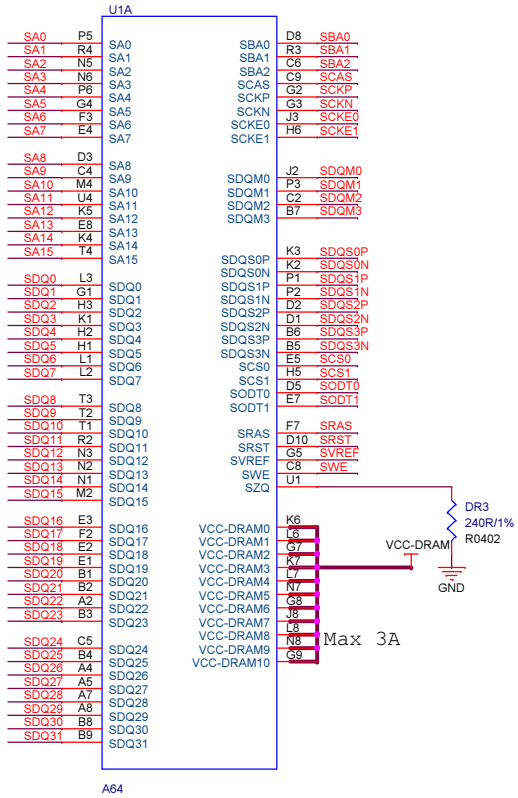
POWER TREE

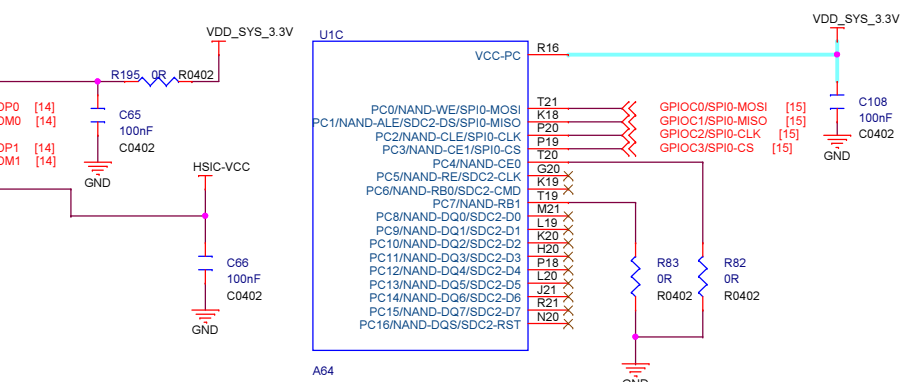
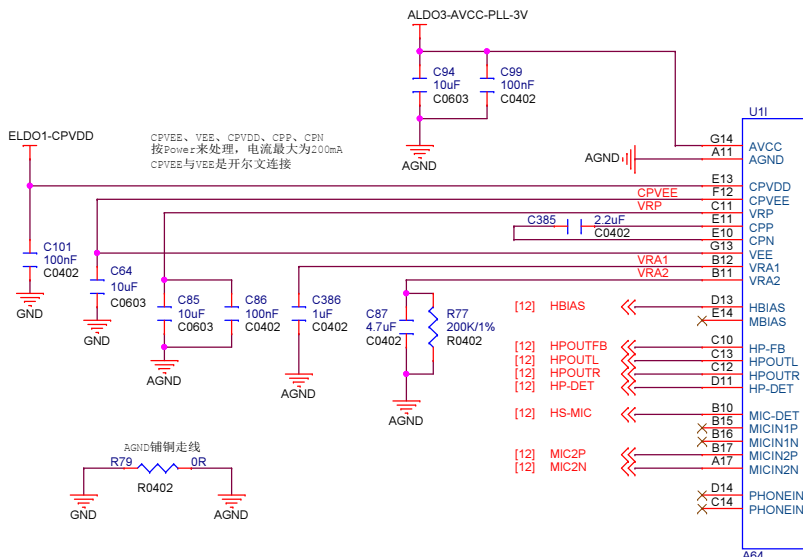
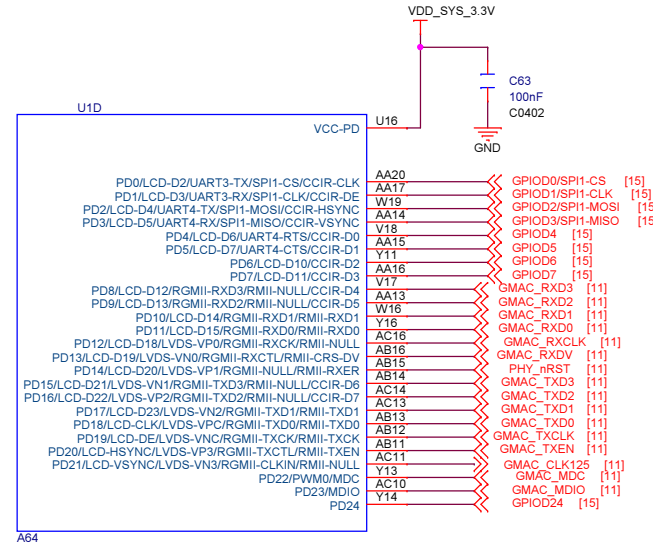
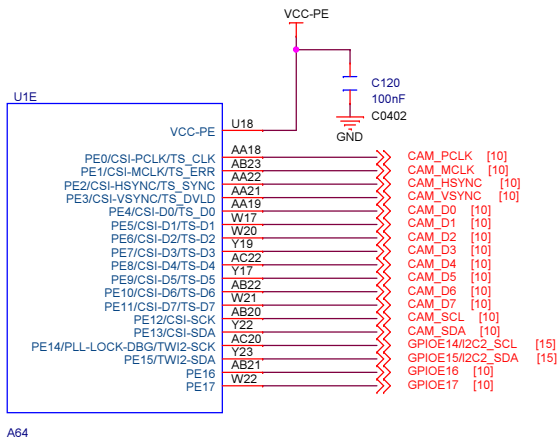
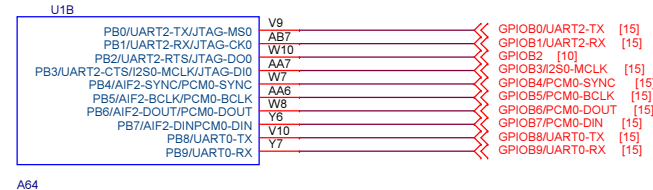
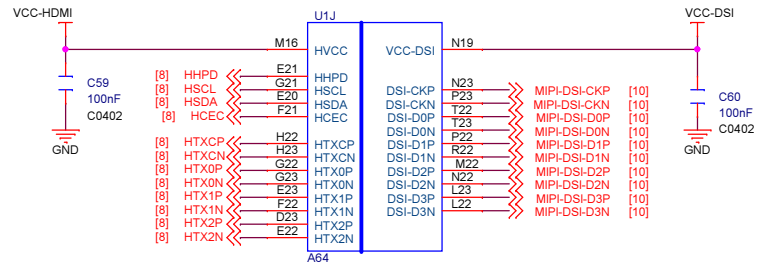


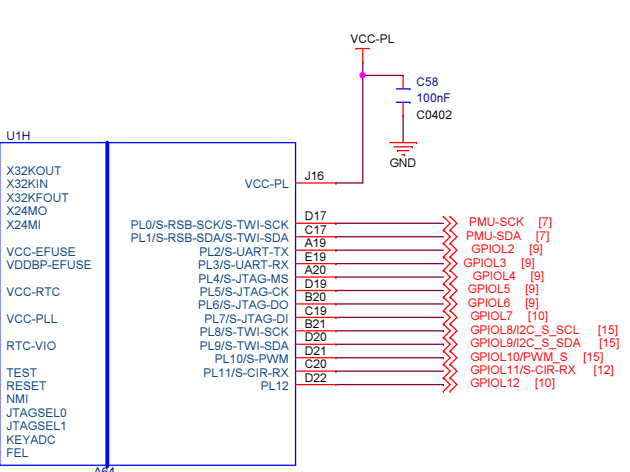
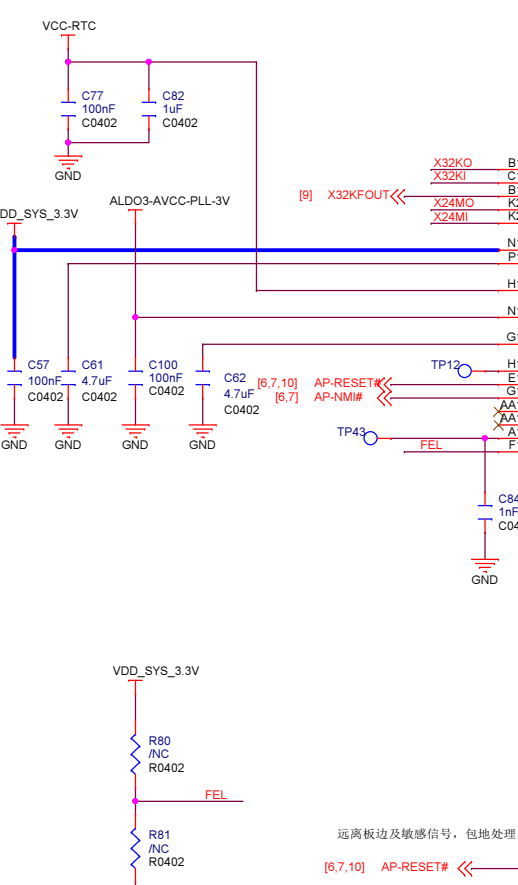
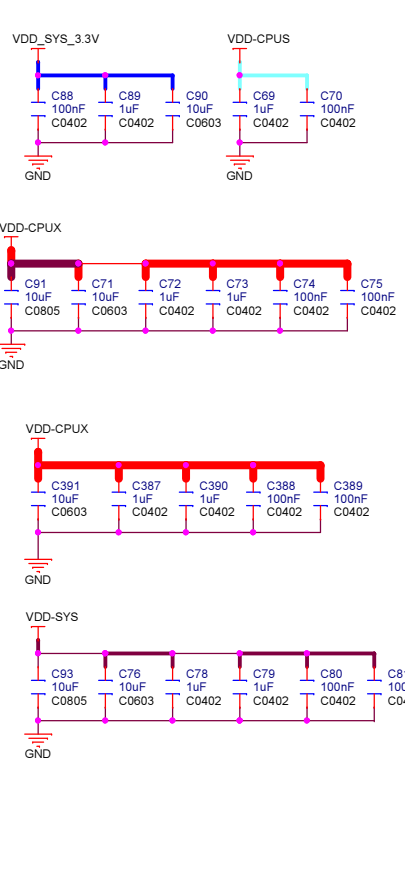
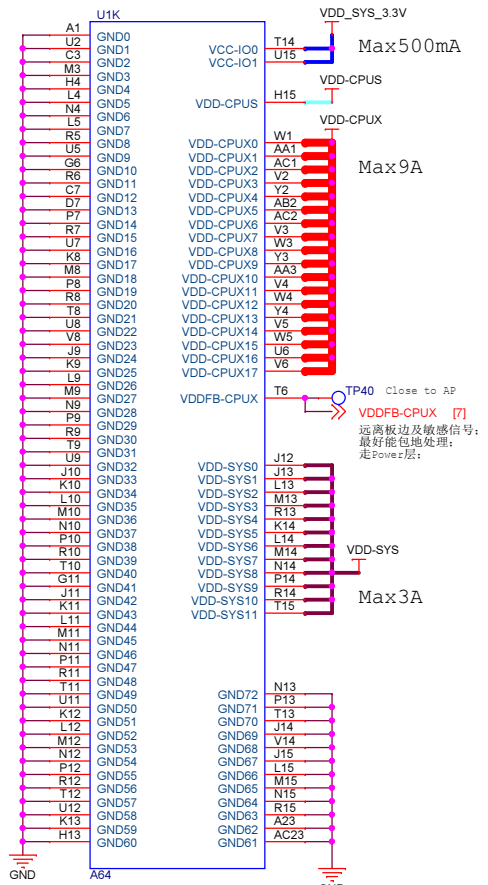
灰色：上电默认关
红色：上电默认开



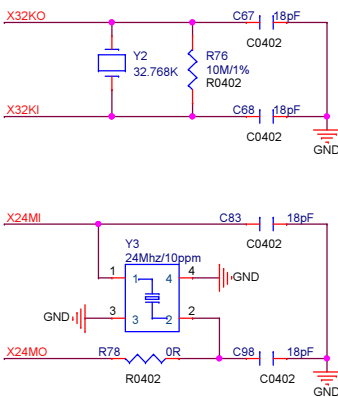
DDR3



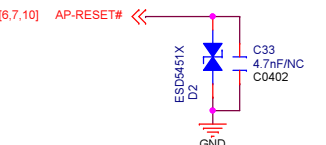




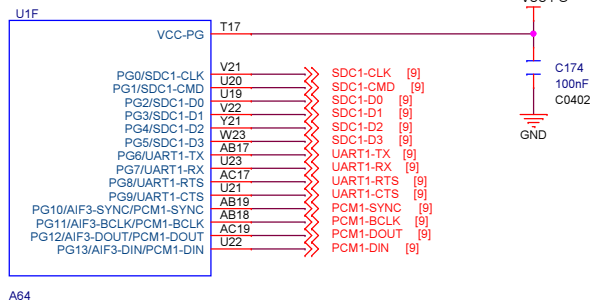
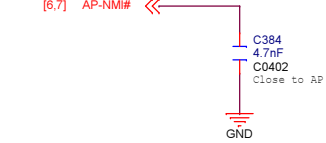
OSC-RTC



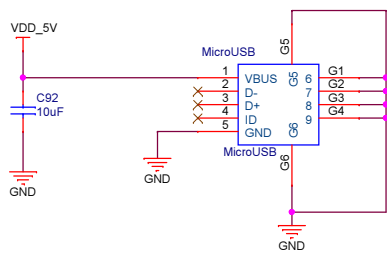
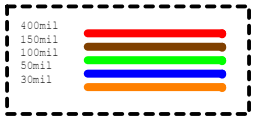
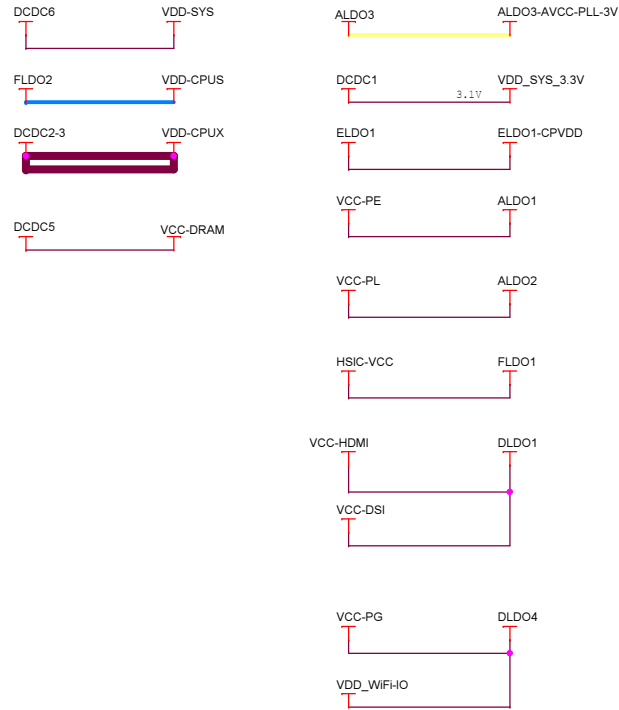
远离板边及敏感信号，包地处理



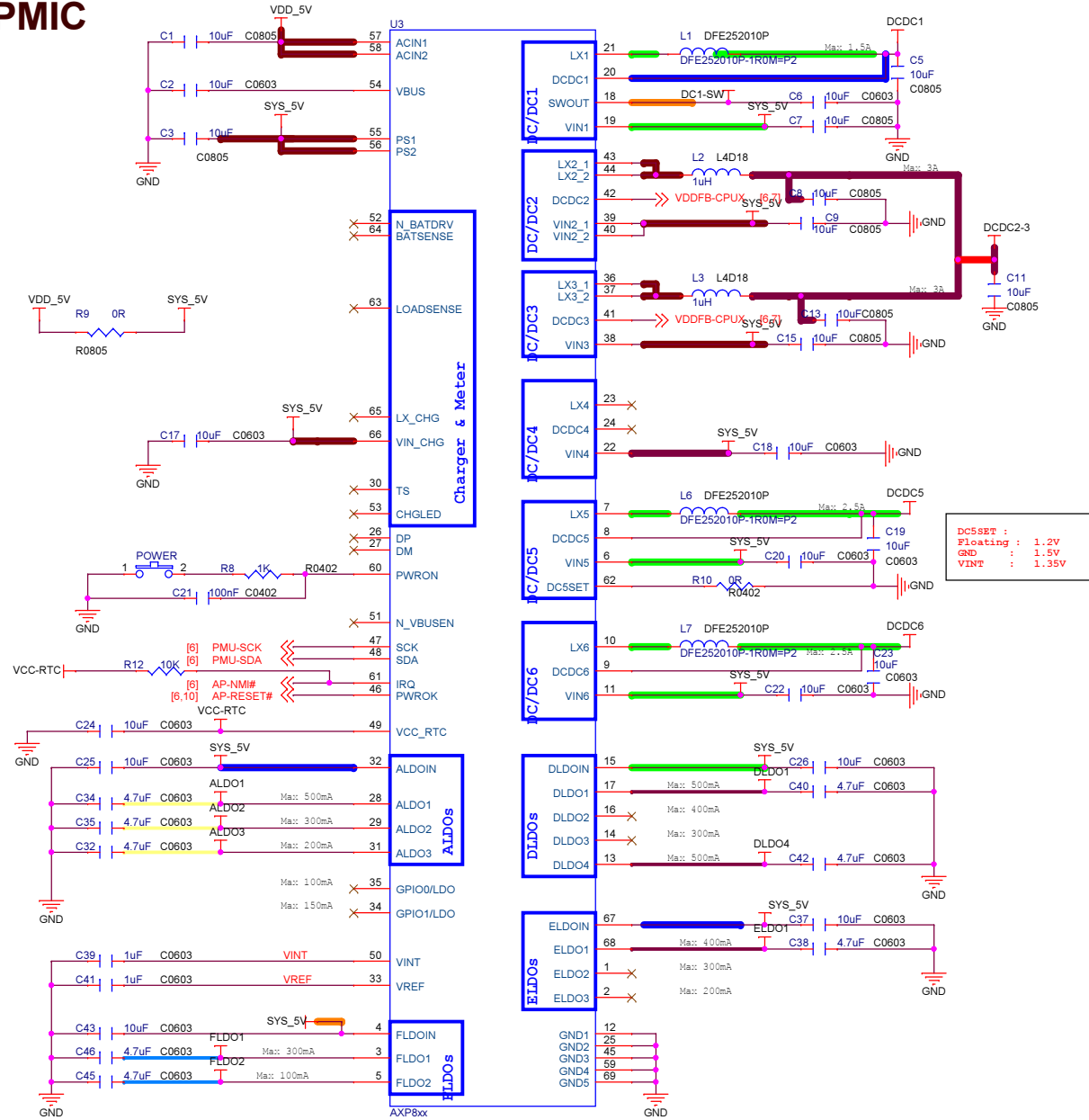
远离板边及敏感信号，包地处理



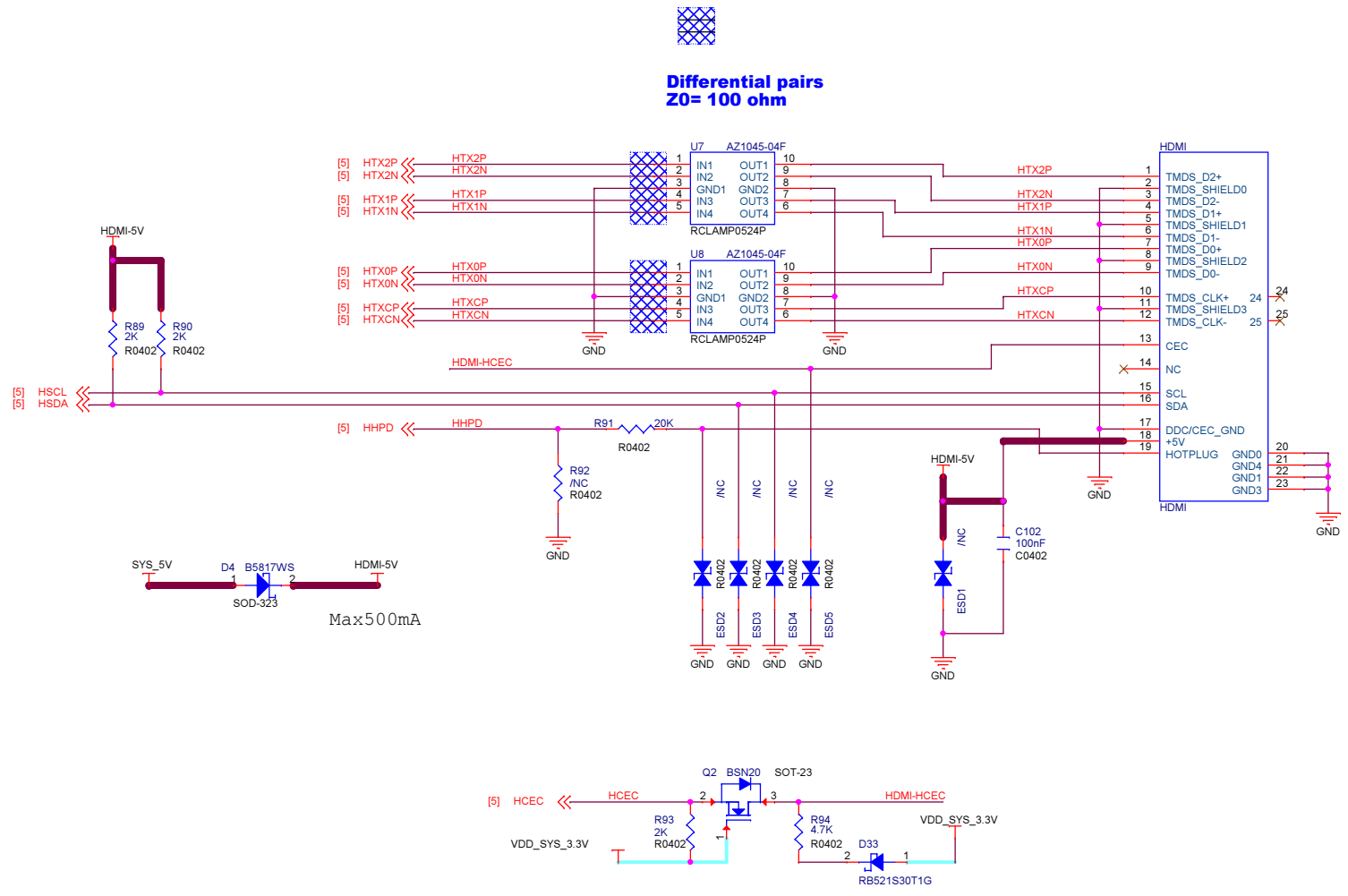
POWER



PMIC

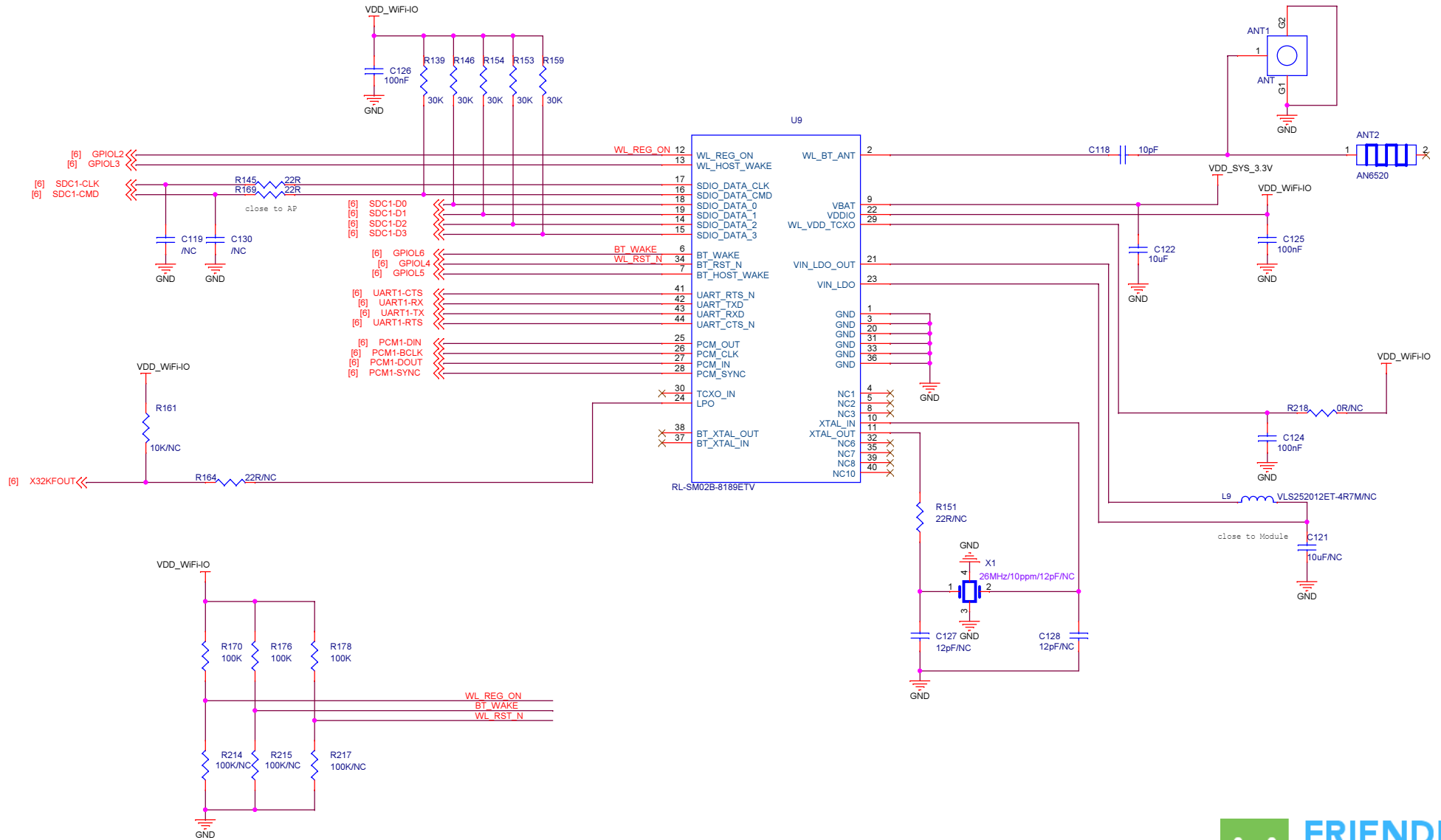


HDMI

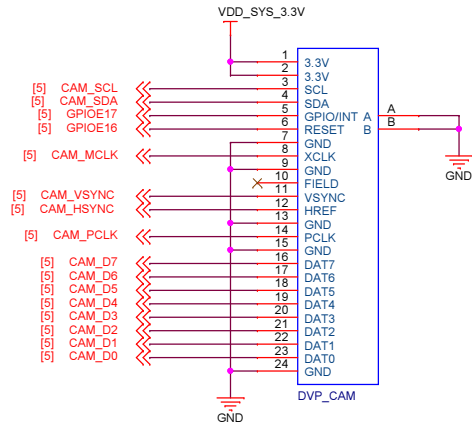


NanoPi-A64		
Size A3	Document Number HDMI	Rev 1610
Date: Thursday, December 15, 2016	Sheet 8 of 15	

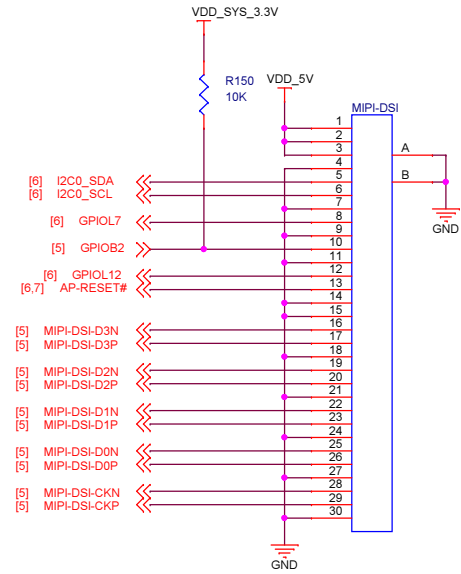
Wi-Fi



Video Interface



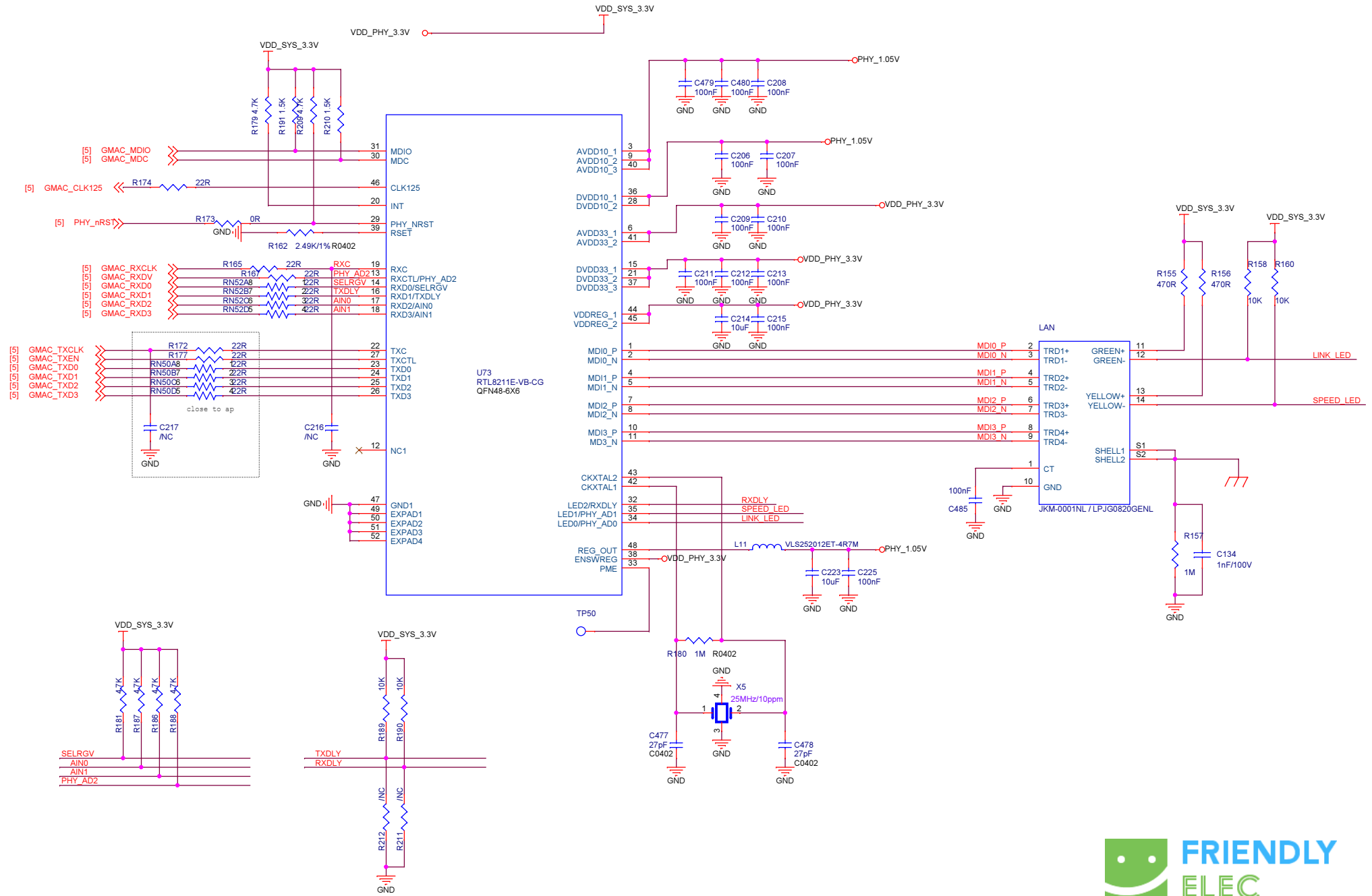
Camera Interface



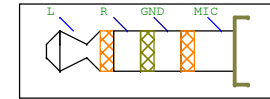
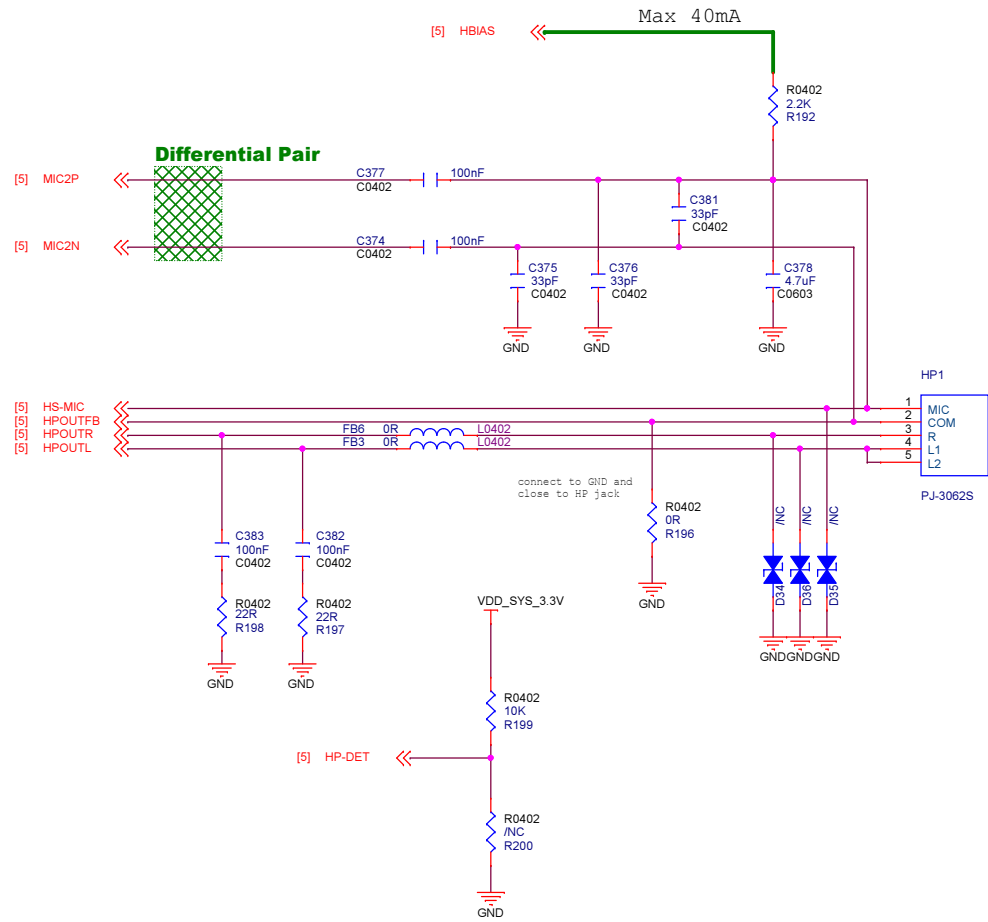
Display Interface



10/100/1000M Ethernet

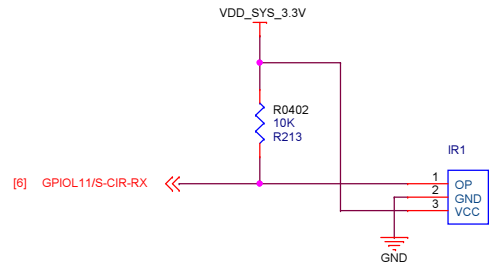


HP_JACK

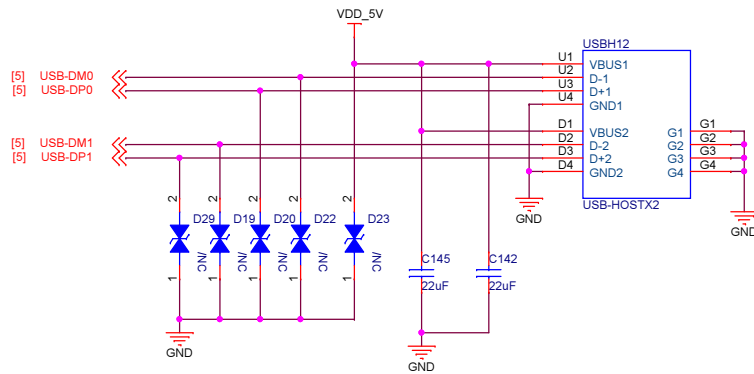
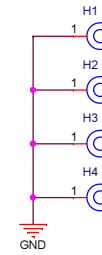
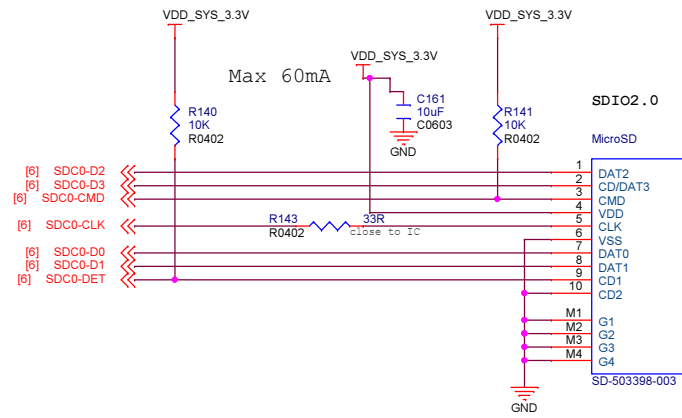


iPhone,SAMSUNG: L+R+G+M

IR Reciver



MicroSD/USB



GPIO/I2S

